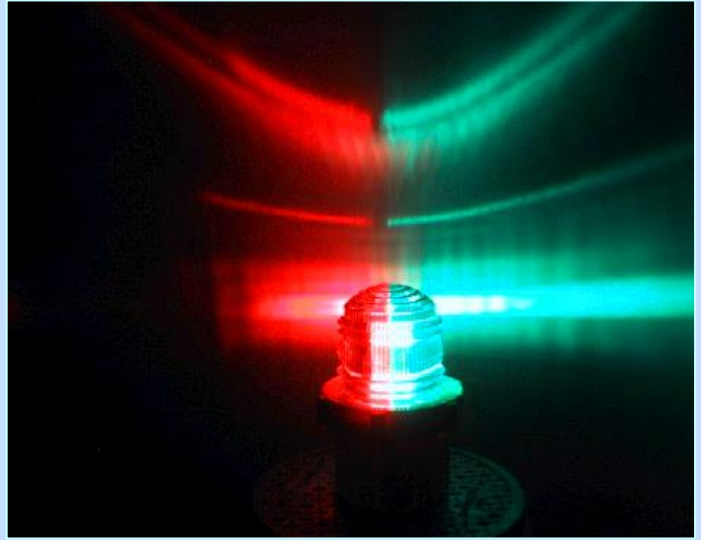


Airport Lighting Specialists

PAL Permanent Airport Light

Features

- PAL lights are fully MOS139 compliant.
- Made in Australia for harsh conditions.
- Tough polycarbonate body and lens that won't rot, rust or crumble.
- Lenses are guaranteed for 5 years – you can't break a single-coloured lens.
- We make them, so spares are always available.
- Many lamp variants are available to suit your Requirements.
- Standard mounting bolt pattern allows easy upgrades when replacing your old lights.
- No threads on lens means lenses don't jam and break.
- PAL threshold / end lights are available with a fully MOS139 compliant split Red/Green lens.



Colours

PAL lights are available in all aviation colours.

Green – Outer Threshold
 Green / Red – Threshold / End
 White – Runway Edge
 Blue – Taxiway & Apron Edge, Turning Node
 Yellow – Holding Point

Other special combinations of colours can also be supplied on request – just call us.

Easy Mounting

PAL lights can be screwed on top of a pit with the series isolation transformer connected directly from below.

Contact us if you need more information – we can supply all the parts you need.



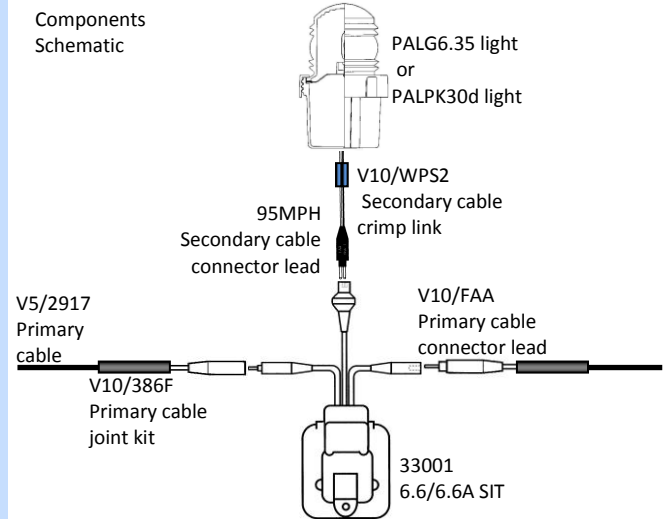
PAL lights for 6.6 Amp circuits

6.6A G6.35 Lamps – small quartz lamp with two pins extending from the base

Green or Green/Red lens : 45W (J1/57)
 Clear, Blue or Yellow lens : 30W (J1/74)

6.6A PK30d Lamps – quartz lamp with circular steel reference flange and flying cable leads.

Green or Green/Red lens : 45W (V1/PK30D45)
 Clear, Blue or Yellow lens : 30W (V1/PK30D30)



Compliances

Civil Aviation Safety Authority Australia

CASA Manual of Standards Part 139, Chapter 9,
Low Intensity Clauses of Sections 9.10 to 9.15

International Civil Aviation Organization

ICAO Annex 14, Volume I, Chapter 5,
Sections 5.3.9.9, 5.3.10.9, 5.3.11.4, 5.3.16.6

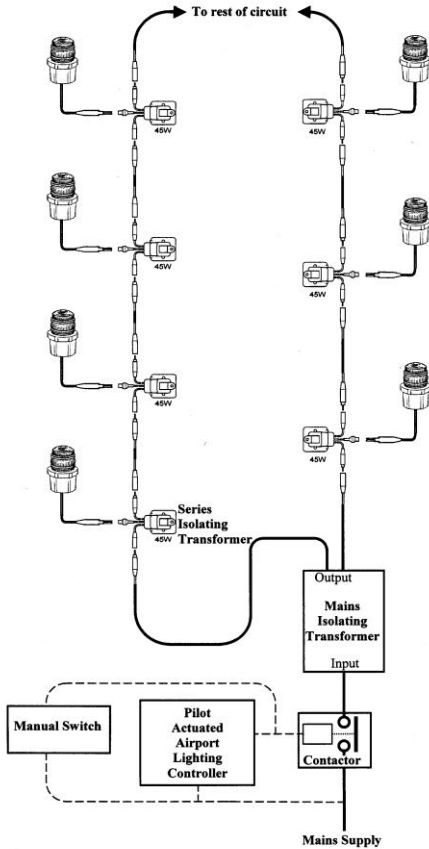
Federal Aviation Administration

Omni-directional elevated lights per
FAA AC 150/5345-46 L-860, L-860E, L-861T

They are tough!



Here's something you don't see every day...
That's a 3-tonne truck parked on a PAL lens, just to
show how tough they really are!
(Don't try this at home with a glass lens).



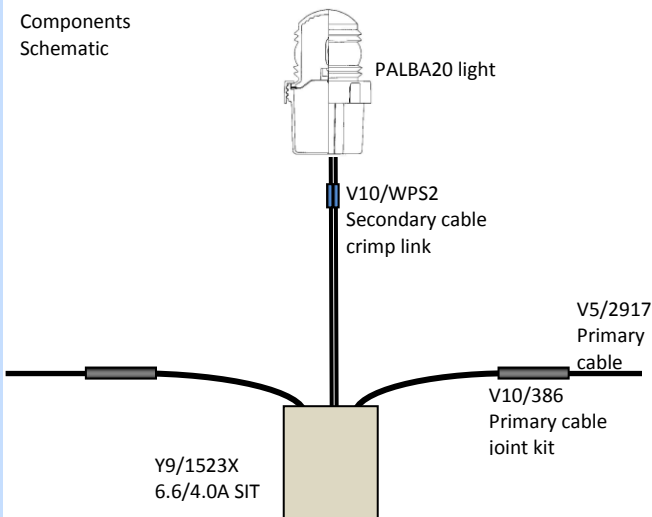
Other items

PAL lights operate as part of a series circuit, so naturally we supply all the other bits as well!

Apart from lights, ALS offers all you'll need : SITs, leads, cables, connectors, lamps, MIT, CCR, PAALC, AFRU, IWDI, socks, cones, gables... The list goes on!



Components Schematic



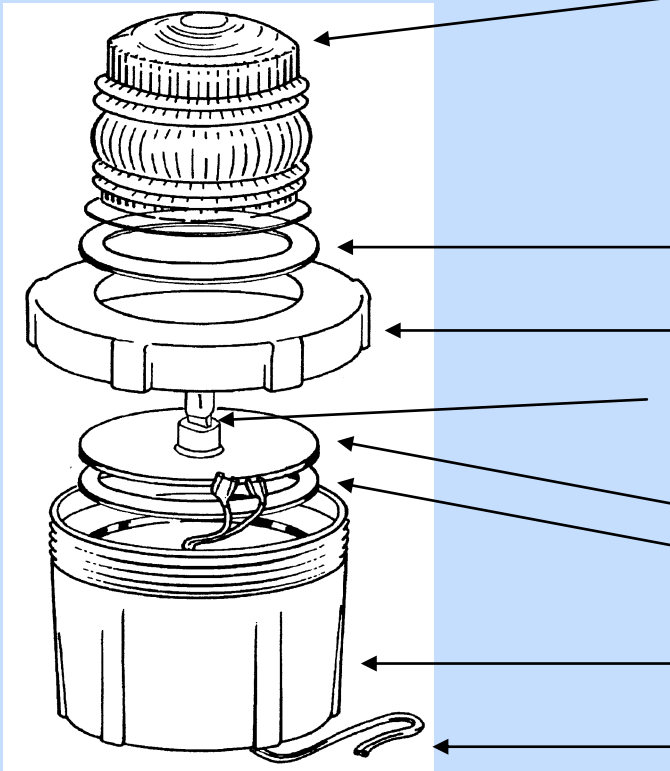
PAL lights for 4.0 Amp circuits

4.0A BA20s Lamps – round glass envelope and a 20mm diameter base.

Green or Green/Red lens : 48W (V1/2)
Clear, Blue or Yellow lens : 25W (V1/300)



Replacement Parts



Lenses :	
• Clear	PALCLEARLENS
• Blue	PALBLUELENS
• Yellow	PALYELLOWLENS
• Green	PALGREENLENS
• Red	PALREDLENS
• Red/Green	PALREDGREENLENS
Gasket	PALGASKET
Lens Retainer	PALLOCKRING
Lamps :	
• Runway/Taxiway :	See table below
• Threshold/End :	See table below
Lampholder Assembly	PALLHASSY
Gasket	PALGASKET
Body & Grommet Pack	PALBODYKIT
Secondary Cable	V5/3045

Stock Codes

Lights to suit 6.6 Amp bi-pin G6.35 lamp

Function	Stock Code	Lamp
Runway edge	PALG6.35CLEAR	J1/74 30 W 6.6A
Threshold / End	PALG6.35RGMOS	J1/57 45 W 6.6A
Outer Threshold	PALG6.35GREEN	J1/57 45 W 6.6A
Taxiway edge	PALG6.35BLUE	J1/74 30 W 6.6A
Holding point	PALG6.35YELLOW	J1/74 30 W 6.6A

Lights to suit 6.6 Amp PK30d lamp

Function	Stock Code	Lamp
Runway edge	PALPK30DCLEAR	V1/PK30D30 30W 6.6A
Threshold / End	PALPK30DRGMOS	V1/PK30D45 45W 6.6A
Outer Threshold	PALPK30DGREEN	V1/PK30D45 45W 6.6A
Taxiway edge	PALPK30DBLUE	V1/PK30D30 30W 6.6A
Holding point	PALPK30DYELLOW	V1/PK30D30 30W 6.6A

Lights to suit 4.0 Amp bayonet cap BA20s lamp

Function	Stock Code	Lamp
Runway edge	PALBA20CLEAR	V1/300 30 W 4.0A
Threshold / End	PALBA20RGMOS	V1/2 48 W 4.0A
Outer Threshold	PALBA20GREEN	V1/2 48 W 4.0A
Taxiway edge	PALBA20BLUE	V1/300 30 W 4.0A
Holding point	PALBA20YELLOW	V1/300 30 W 4.0A

Dimensions

Installed height	195 mm
Lights per carton	1 piece
Carton size	150x150x210 mm
Pack weight	0.6 kg



Airport Lighting Specialists Pty Ltd

Phone + 61 (0)3 9432 0511 Fax + 61 (0)3 9432 1952
 sales@airportlighting.com.au www.airportlighting.com.au
 PO Box 94 Rosanna, Victoria, 3084, Australia

